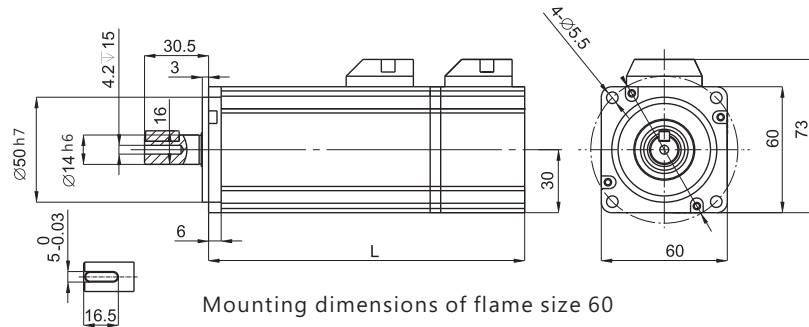
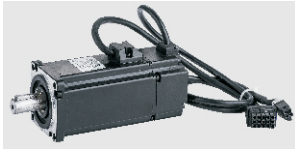
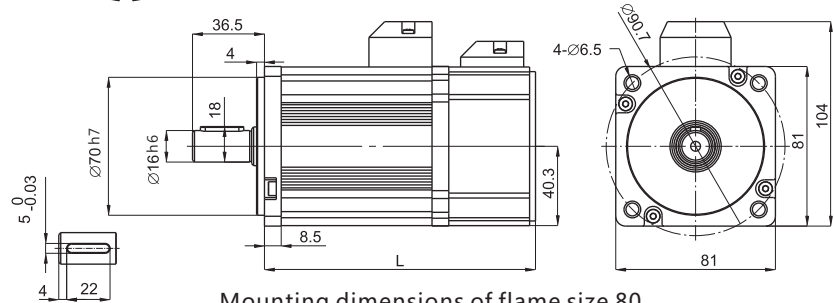


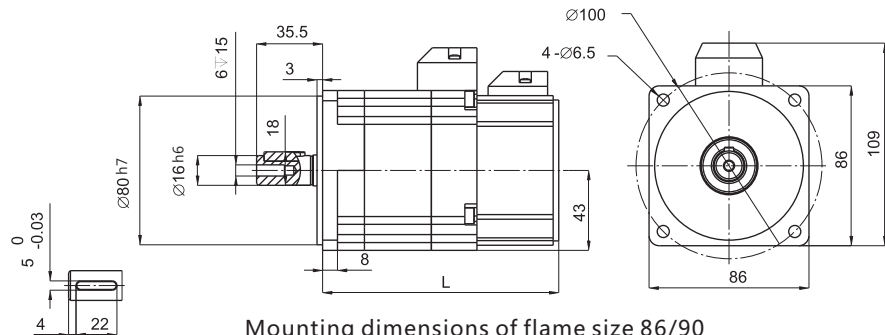
60mm, 80mm, 90mm Permanent Magnet AC Servo Motor - Technical Parameters



Mounting dimensions of flame size 60



Mounting dimensions of flame size 80



Mounting dimensions of flame size 86/90

Flame size 60mm

Model	Rated Torque	Rated Voltage	Rated Speed	Rated Power	Rated Current	Kt	Ke	Max. Speed	Max. Torque	Rotor Inertia	Poles	Weight	Length	Length (with braker)
	N.m	Vac	rpm	kW	A									
60A40B30C	1.3	220	3000	0.4	2.7	0.51	31	4000	3.9	0.21	8	1.3	130	170
60A40B60C	0.7	220	6000	0.4	1.6	0.46	28	6500	2.1	0.13	8	1.1	110	150

Flame size 80mm

Model	Rated Torque	Rated Voltage	Rated Speed	Rated Power	Rated Current	Kt	Ke	Max. Speed	Max. Torque	Rotor Inertia	Poles	Weight	Length	Length (with braker)
	N.m	Vac	rpm	kW	A									
80A40B15C	2.4	220	1500	0.4	2.4	1.07	65	2000	7.2	1.2	8	4	158	213
80A40B30C	1.3	220	3000	0.4	2.9	0.48	29	4000	3.9	0.9	8	2	138	193
80A75B30C	2.4	220	3000	0.75	3.1	0.83	50	4000	7.2	1.2	8	3	158	213
80A15C30C	4.8	220	3000	1.5	5.9	0.88	53	4000	14.4	2.4	8	6	198	253

Flame size 86/90mm

Model	Rated Torque	Rated Voltage	Rated Speed	Rated Power	Rated Current	Kt	Ke	Max. Speed	Max. Torque	Rotor Inertia	Poles	Weight	Length	Length (with braker)
	N.m	Vac	rpm	kW	A									
86A75B30C	2.4	220	3000	0.75	3.0	0.86	52	4000	7.2	1.6	8	3	128	183
86A75B15C	4.8	220	1500	0.75	3.4	1.52	92	2000	14.4	3.2	8	6	163	218

Insulation grade: Class-H; Protection grade: IP65(except the part of the wire); Working standard: Long-term, S1