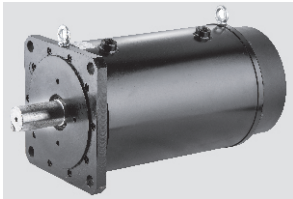
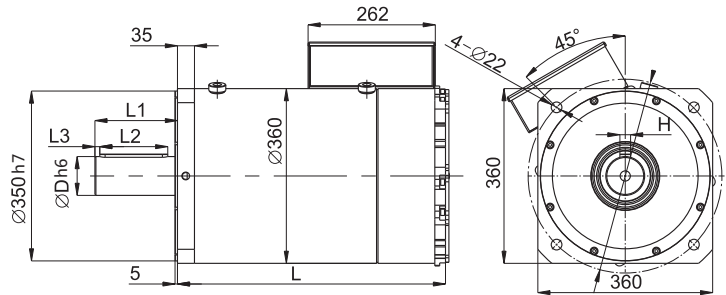


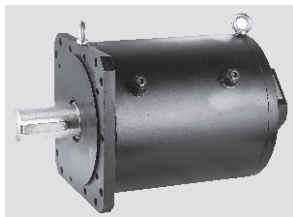
360mm, 450mm Permanent Magnet AC Servo Motors - Technical Parameters (*liquid cooling*)



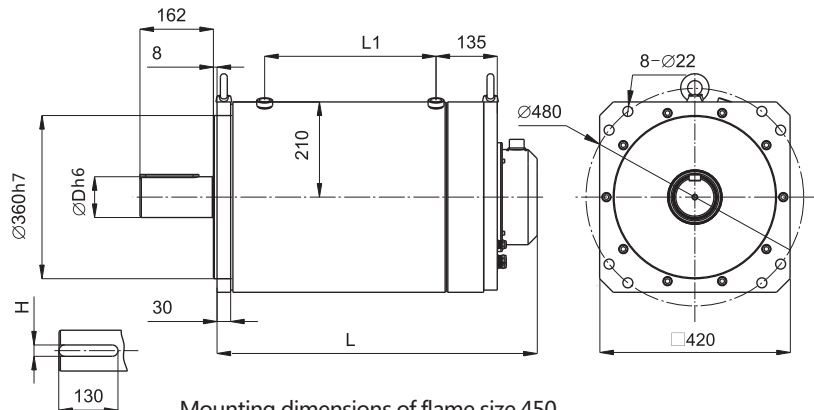
Size	≤575 (N.m)	Other
D	60	80
H	18	22
L1	140	170
L2	125	140
L3	6	10



Mounting dimensions of flame size 360



Size	1400 (N.m)	Other
D	90	80
H	25	22



Mounting dimensions of flame size 450

Flame size 360mm

Model	Rated Torque	Rated Voltage	Rated Speed	Rated Power	Rated Current	Kt	Ke	Max. Speed	Max. Torque	Rotor Inertia	Poles	Weight	Length
	N.m	Vac	rpm	kW	A	N.m/A	V/krpm	rpm	N.m	Kg.cm ²	poles	Kg	mm
360H75D15C	480	380	1500	75	174	3.1	187	2000	960	1982	8	228	509
360H90D15C	575	380	1500	90	201	3.2	194	2000	1150	2356	8	250	559
360H11E15C	700	380	1500	110	255	3.1	187	2000	1400	2729	8	272	609
360H14E15C	900	380	1500	141	328	3.1	186	2000	1800	3476	8	317	709

Flame size 450mm

Model	Rated Torque	Rated Voltage	Rated Speed	Rated Power	Rated Current	Kt	Ke	Max. Speed	Max. Torque	Rotor Inertia	Poles	Weight	Length
	N.m	Vac	rpm	kW	A	N.m/A	V/krpm	rpm	N.m	Kg.cm ²	poles	Kg	mm
450H11E15C	700	380	1500	110	244	3.1	187	2000	1400	4300	8	370	528
450H16E15C	1000	380	1500	157	330	3.2	196	2000	2000	6140	8	440	628
450H22E15C	1400	380	1500	220	488	3.1	187	2000	2800	7980	8	510	728

Insulation grade: Class-H; Thermal protection : PT100, with KTY optional; Protection grade: IP65 (except the terminal box);
Wiring method: Terminal box; Cooling method: Oil-cooling or water-cooling; Working standard: Long-term, S1